



## eV-1000

### *Workhorse Sensor for Industrial Gauging*

The eValuator™ -1000 is a Solid State X-ray and Gamma-ray detector based on Cadmium Zinc Telluride (CZT) detector technology. CZT detectors offer the distinct advantage of being 100% solid state technology with a significant efficiency advantage over conventional Scintillation-based detectors. A higher efficiency detector can equate to lower X-ray power, less shielding, lower system cost, and better statistics. The eValuator™ -1000's simple and rugged design, coupled with its superior sensitivity, make it ideally suited for the precise measurements needed in today's demanding industrial and manufacturing environments.

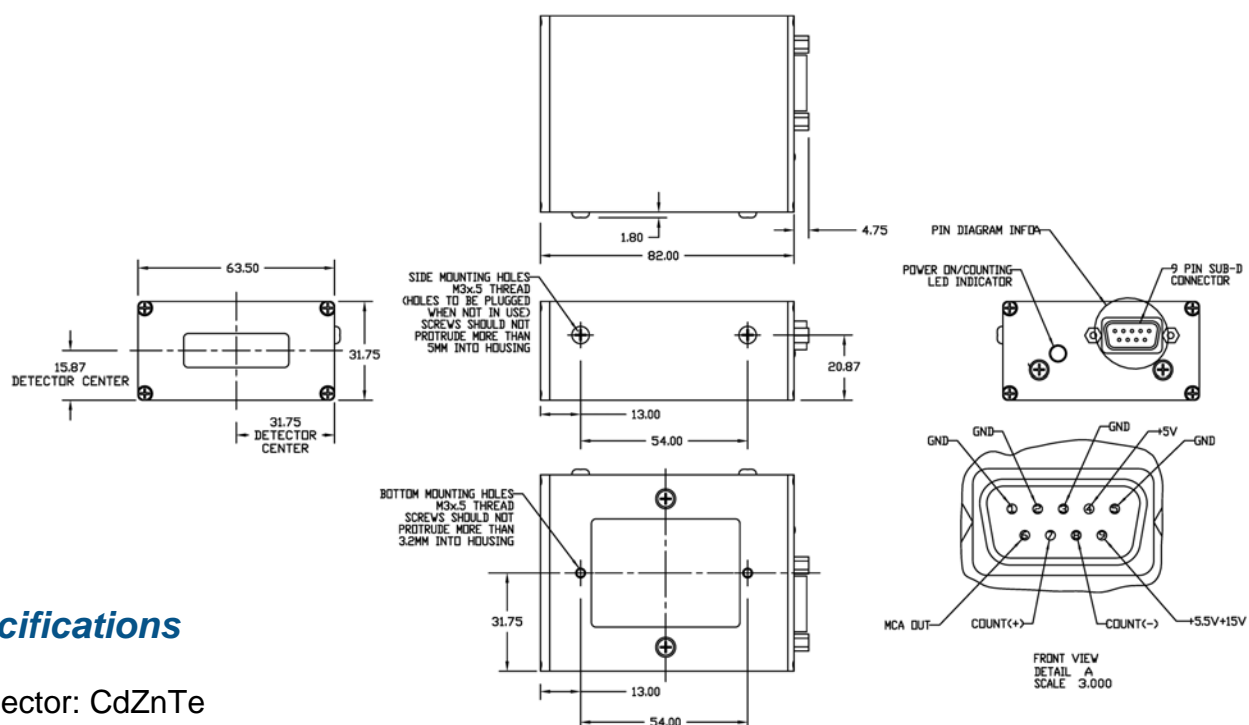


### *Applications*

- Liquid Level Gauging
- Fill Level Gauging
- X-ray Inspection
- Case Inspection
- Web/Thickness Gauging

### *Features*

- Counts Every Photon
- Solid State Detector Technology
- Integrated High Voltage
- Non-Hygroscopic Sensor
- Compact Size



## Specifications

- Detector: CdZnTe
  - Sizes: 10mm x 10mm x 3mm
  - 25mm x 4mm x 3mm
  - Custom sizes may be available.
- Detected radiation type: X-ray, Gamma-ray
- Energy range: 20keV-130keV at Room Temperature
- Built-in high-voltage power supply
- Power input: +5V to +15V @ 600mW
- Outputs:
  - Positive TTL pulse
  - Analog Bi-polar signal: +/-4V max
- Factory set lower level threshold
- Power/ Count / Error-LED indicator
- Operating temp. range: +5C to +50C
- User interface connector-DB9, (cable not included)
- Dimensions: 63mm L x 31.75mm W x 82mm D (2.5 x 1.25 x 3.25 inches)
- Vertical and horizontal mounting options
- Max count rate: 800Kcps @ shaping time-190nS with TTL output
- <30%FWHM @ 60keV @ Room Temperature @ 10Kcps with bipolar analog output ("MCA OUT" above)
- ~500Kcps using x-ray from 20keV to 130keV